

Patent Information

Applies to: GP215/200, GPR-2 (Cartridges)
Applies to: GPR-4, NPG-10, NPG-12, NPG-14 (Bottles)

Patents
USP5520229
USP6014536

The Patented Structure Operates to Inform the User that Toner from the Container has been Emptied into the Toner Hopper & that the Container is Removable from the Hopper

When the toner hopper shutter is closed after the hopper is filled, the toner container is caused to shift upwardly informing the operator that the toner container can be safely removed from the hopper.

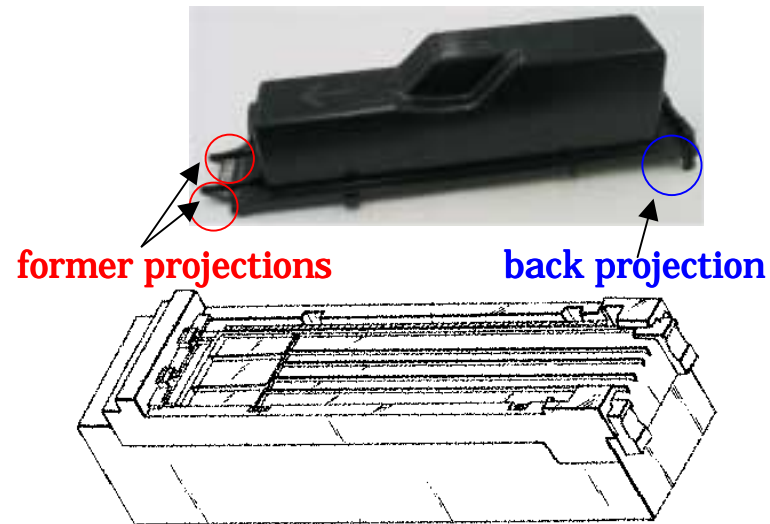
The Patented Structure Improves Sealing of the Toner Container to the Toner Hopper During the Filling Operation

When the toner container is properly mounted on the toner hopper, forward and rearward projections on the toner container are secured to the hopper to improve sealing.

The Patented Structure operates to Prevent of a Canon Toner Cartridge or Bottle Containing a Particular Toner from Being Mounted on a Canon Copier that Requires a Different Toner

Each of the noted Canon toner cartridges and bottles contain toner having particular characteristics suitable only for particular Canon copiers. Therefore, each cartridge & bottle is formed with forward and rearward projections, the configuration of which can only be fitted to Canon copiers that are compatible with the particular toner. If the projections on the Canon cartridge or bottle do not fit on a specific Canon copier to mount the cartridge or bottle properly, then the toner hopper shutter on the copier cannot be opened and the incompatible toner cannot be loaded into the hopper.

former projections back projection



Patent Information

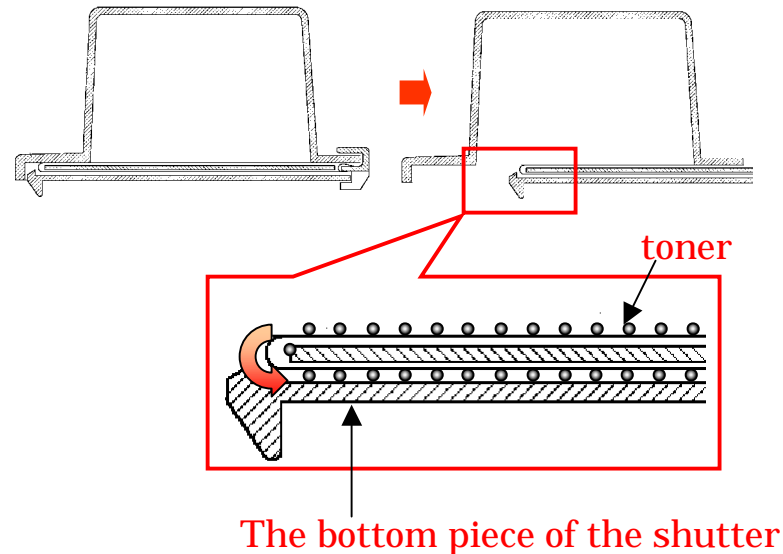
Patent

USP5974286

Applies to: GP215/200, GPR-2

The Patented Structure Prevents the Outside Surface of the Toner Container Shutter from Being Soiled with Toner

The toner discharge opening of the toner container is closed by a shutter having top and bottom pieces, and a seal film that is confined between the top and bottom pieces when the shutter is opened. Therefore, toner that adheres to the seal film is also confined between the top and bottom shutter pieces so that the outside of the container does not become soiled with toner.



Patent Information

Applies to: GPR-4, NPG-10, NPG-12, NPG-14

Patents

USP5491542

USP5649270

The Patented Structure Improves the Stability of the Toner Sealing Property

The sealing member extends into the shutter guiding portion of the capping member, thus improving the stability of the toner container sealing property.



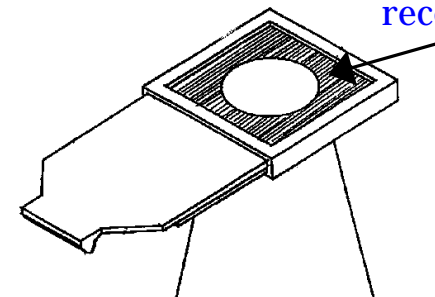
The Patented Structure is Easy to Open

In order to reduce the suction cup effect produced between a seal member on the shutter member and the flange surface, a recessed or grooved portion is provided on the flange surface.

Therefore, it is possible to reduce the force necessary to open or close the shutter member.



Sealing member



recessed portion

Patent Information

Patents

USP6049685

USP6259874

USP6591078

USP6594458

Applies to: GPR-1, GPR-7

With the Patented Structure, Just Close the Cover to Supply Toner

All you have to do is close the copier's cover to supply toner.

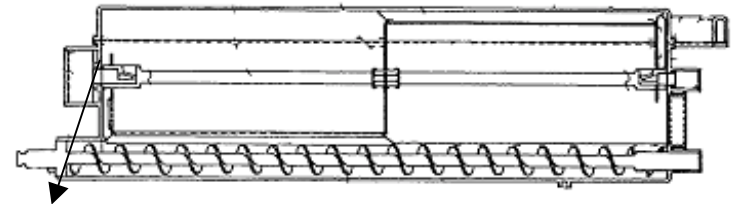
When the cover is closed, the sealing member of the toner container is engaged with the copier and is separated from the main body of the container by backward movement of the container, thus opening the toner supply port.



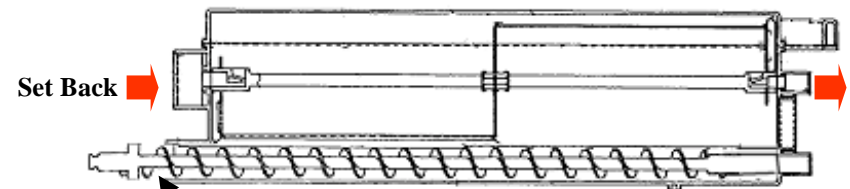
Sealing member

The Patented Structure Prevents Toner Spillage

When the cover is opened so that the toner container may be taken out of the copier, the sealing member again closes and seals the toner supply port in reverse order.



After engaged by the copier



Set Back

Toner supply port